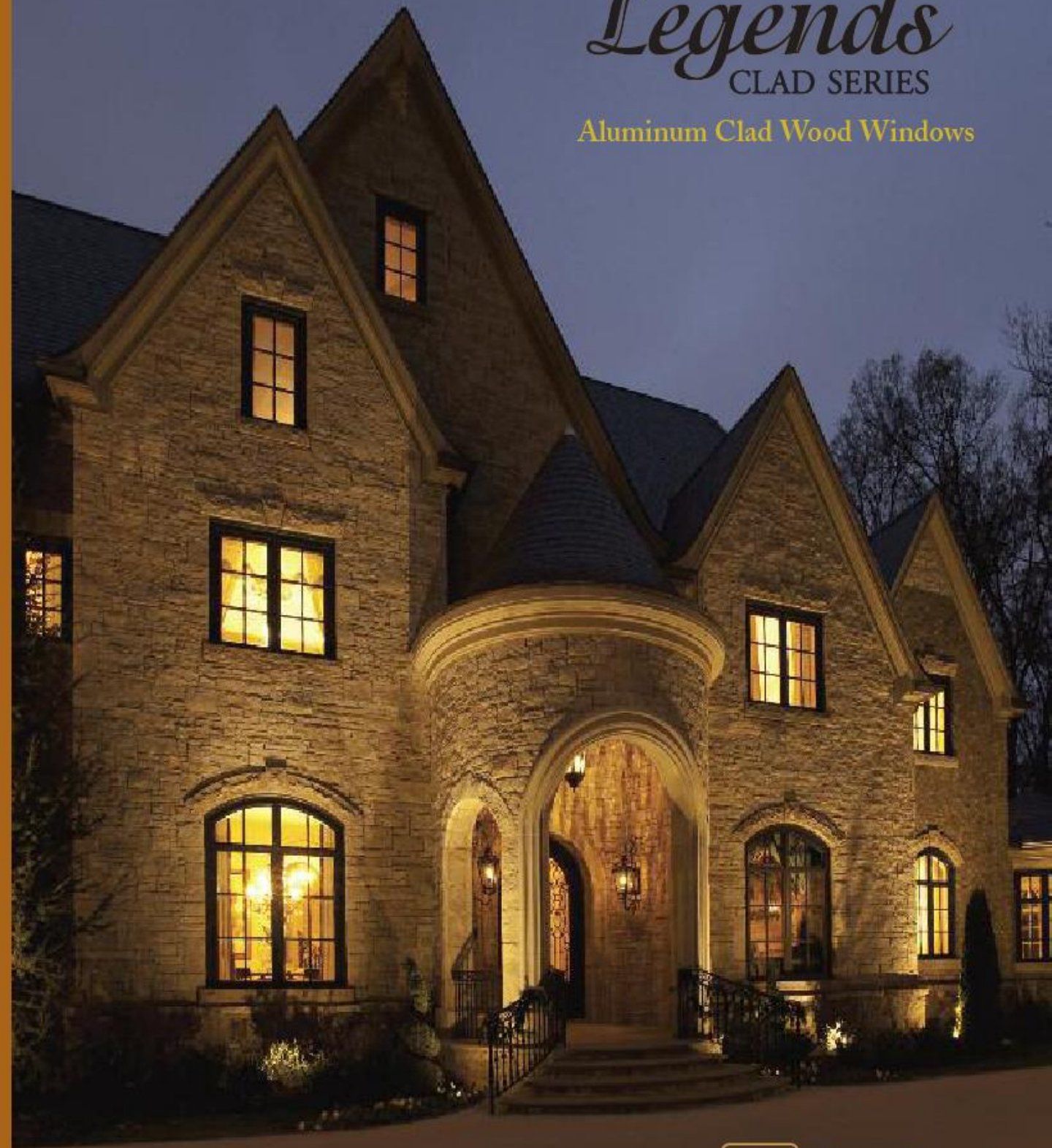


REPLACEMENT • REMODELING • NEW CONSTRUCTION • ARCHITECTURAL

Legends

CLAD SERIES

Aluminum Clad Wood Windows



Energy-Tight Windows for Comfortable Living and Fuel Efficiency.



TrimLine[®]
WINDOWS INCORPORATED

Legends

SERIES

REPLACEMENT
DR200 REPLACEMENT

**Aluminum
Clad Wood
Windows**

DOUBLE-HUNG

DR200 Replacement

DR300 Remodeling

Eclipse

Ultra-Fit Sash Replacement

DH100 New Construction

BOW WINDOWS

ANGLE BAY WINDOWS

**CASEMENT, AWNING
& PICTURE**

C3000 Replacement

C4000 Remodeling

C4000 New Construction

ARCHITECTURAL

Circle-Tops

VersaFrame Direct -Sets

COMFORT PLUS GLASS

ART GLASS

WARRANTY



All wood parts which are produced from the finest quality kiln-dried solid fine grain western pine are treated with a wood preservative, and can be painted or stained. Also available in oak, cherry and mahogany, all hardwood parts are of actual solid select stock, not thin veneers or laminates.

Shown in oak with Simulated Divided Lite grilles and brass hardware



215.672.5233 800.213.6100
trimlinewindows.com



T W I N D O W S

Engineering that works...

For almost 50 years, it's been built into every product that carries the TrimLine brand name.

Both upper and lower sash lock in place when tilted in for safe easy cleaning or removal. The sash raise and lower effortlessly with the help of block and tackle balances which are used in all TrimLine double-hung windows. They never need adjusting and have been AAMA tested for over 28,000 cycles without failure to ensure an equivalent of 104 years worth of smooth, quiet and effortless operation.



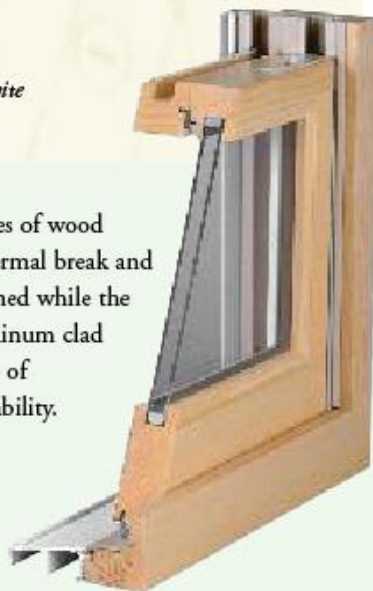
DR200 shown with 7/8" Simulated Divided Lite muntins in pine with white clad exterior finish.



Simulated Divided Lite system (SDL) shown with standard interior and exterior 7/8" applied grid.

Simulated Divided Lite grille shown with optional in-glass bronze spacer bar

The insulating qualities of wood provides a positive thermal break and can be painted or stained while the weather resistant aluminum clad exterior provides years of maintenance-free durability.



E-Z tilt release latches are available in standard almond color or in a choice of white, bronze, polished brass, antique brass, chrome or oil rubbed bronze finishes matching both the sash locks and lift handles.



REPLACEMENT DR200 POCKET INSERT

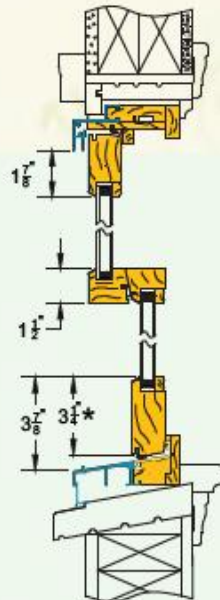
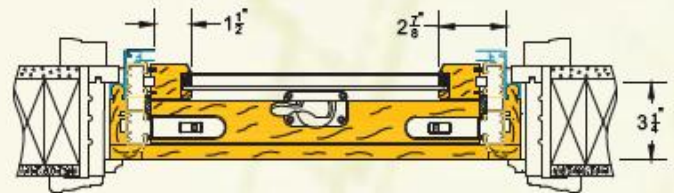


Standard sliding half screen with heavy extruded aluminum frame for longer life includes an integral lift rail and positive bug seal. Optional full screen for maximum top/bottom ventilation also available. Both screen systems standard with 18x16 charcoal fiberglass screen cloth or optional wire screen mesh. Clear Advantage screening is also available for the ultimate in visibility.

Maintenance free exterior cladding finishes are available in standard white, bronze, earthtone, beige, black and hunter green or can be custom ordered in a choice of virtually unlimited colors.



Shown in custom color with 7/8" Simulated Divided Lite prairie pattern



Installed from the inside the series DR200 comes completely assembled. The unit fits into the 3 1/4" sash pocket of the existing window frame so there is no mess involved with a complete window removal and original trim, paint or wallpaper are not disturbed. Order by manufacture size to the 1/8" in both width and height. The DR200 is also available with an optional foam wrapped frame for an extra weather tight installation.

**Optional 4" historic rail also available*



An optional interior sliding half screen is also available for double hung window products (with routed finger lift option only).

ECLIPSE

DOUBLE-HUNG

Eclipse (e.clipse´) n. 1. *The partial or complete obscuring of one celestial body by another.* 2. *To surpass; outshine.*

A product has never been more aptly named... TrimLine's Eclipse Double-Hung truly does "surpass and outshine" its competition...with a look that's "out of this world."

The richly appointed Eclipse Double-Hung product line has the look and feel of wood windows of a by gone era. The Eclipse blends the ageless style and warmth of wood with the convenience of E-Z tilt sash, a maintenance free aluminum clad exterior and the energy efficiency you'd expect to find in today's windows. The Eclipse Double-Hung features standard bright brass or polished chrome release latches for its E-Z tilt sash which travel in a concealed track system designed to preserve a more authentic looking wood sash pocket, reminiscent of a look and feel from a time ago. An elegant mortised locking mechanism and traditional style sash lifts of bright brass or polished chrome complete the hardware appointments.



All models are furnished standard in pine with TrimLine's Comfort Plus Low E glass system with Warm Edge Super Spacer and Argon gas. Hardwoods of oak, cherry and mahogany are also available as are custom color exteriors.

ECLIPSE – FRAME SYSTEM OPTIONS

E200 – 3 1/4" replacement jamb for sash pocket installation.

E300 – Full jamb for remodeling applications where a complete frame replacement is required.

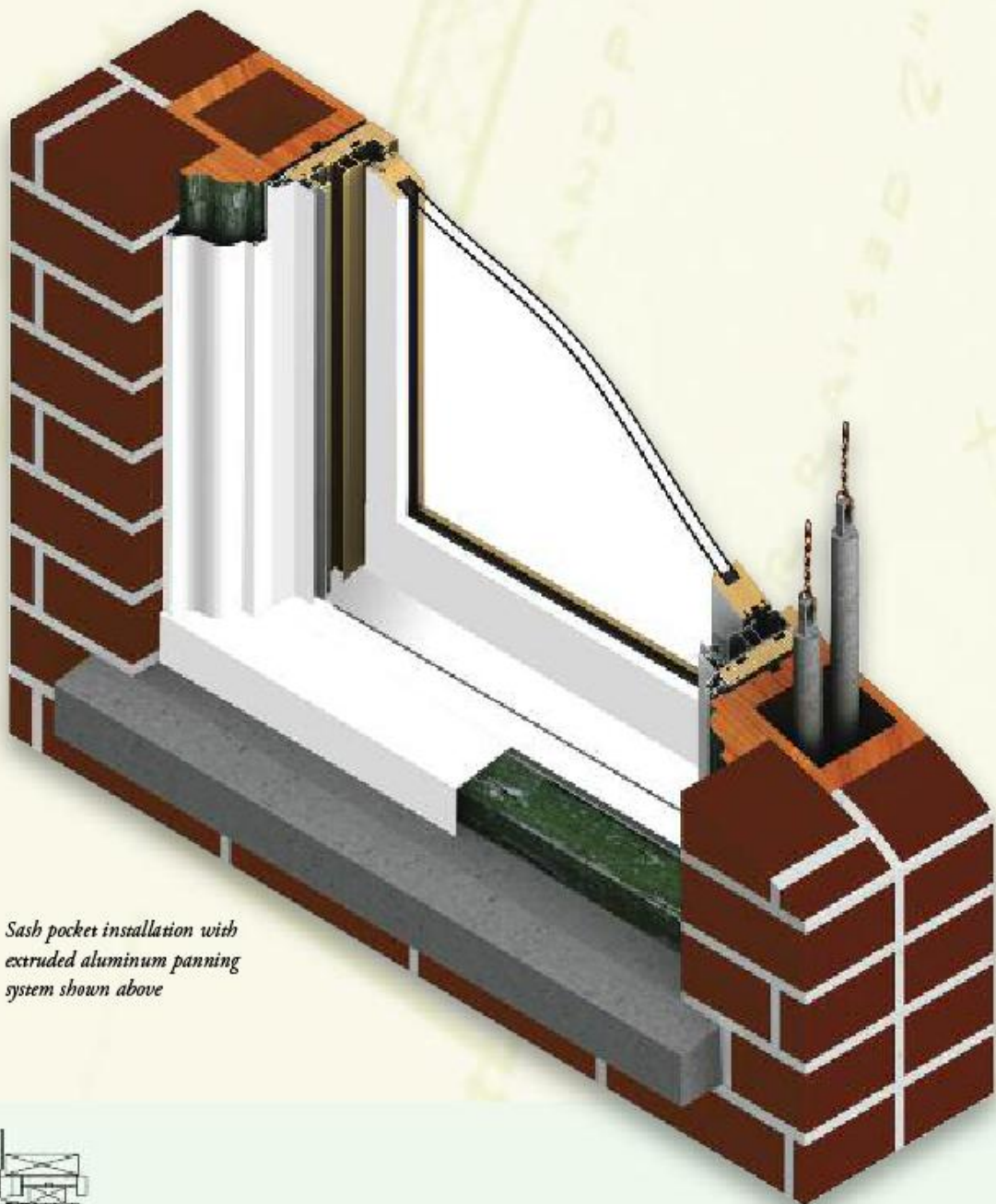
E100 – 4 9/16" jamb with nailing fin for new construction.



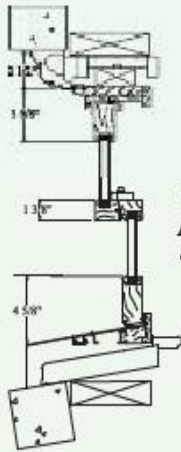
DOUBLE HUNG

DR300 REMODELING

Legends SERIES DR300 REMODELING WINDOWS



Sash pocket installation with extruded aluminum panning system shown above



Typical panning application.

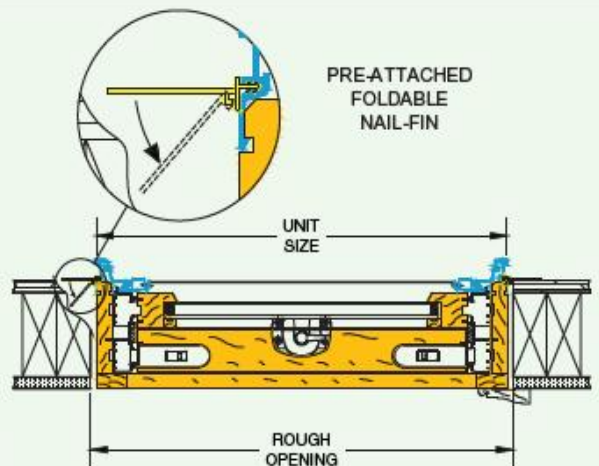
The Legends Series DR300 double-hung is designed for both residential and commercial remodeling applications where a full frame replacement is required or for sash pocket installations where an extruded aluminum panning system can be used to cover the old window casings (See page 12 for other options). Order by manufacture size to the 1/8" in width and height the unit which has a standard full 4 9/16" jamb can be ordered in any jamb depth. The DR300 is also ideal for use in replacement applications of existing openings where the old window has been completely removed and an accessory brickmoulding is attached to fill the void left from the old window casing. Custom design brickmoulding and panning profiles are also available. DR300 is available with standard full screen or optional sliding half screen.

DH100 NEW CONSTRUCTION



The Legends Series DH100 double-hung with standard 4 1/16" jamb and pre-applied foldable nailing flange for new construction shown in bronze clad finish.

The DH100 is offered in a large selection of standard sizes and is available with applied extension jambs for 6 1/16" wall thicknesses and can be factory mullered in any number of configurations. Furnished standard with a charcoal fiberglass full screen, an optional sliding half screen is also available. The DH100, shown below, is available with matching picture window and can be mullered with other double-hung, casement and architectural products.



SASH REPLACEMENT

Preserving the Beauty and Elegance of Your Home...
the Other Replacement Solution

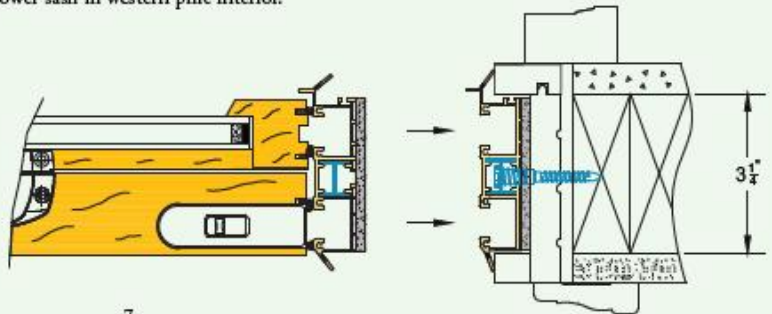
You know those old worn-out leaky windows with the sticky sashes need to be replaced, but you can't bear the thought of losing all that beautiful woodwork and molding. Sure, you've heard all about the benefits of today's energy efficient windows but preserving the character and beauty of your home is just as important to you... those old drafty windows have become such a defining feature of your home that installing a typical replacement window just isn't the answer.

Or, maybe you just want a fresh new look without the expense of a major remodeling project. In either case, Trimline's Ultra-Fit Sash Replacement Kit provides the most natural, energy wise solution for maintaining the beauty and value of your home without the hassle and expense of tearing out the entire window frame.



Your choice... the Ultra-Fit frame system is packaged with the head, sill and jambliner components prefabricated ready for field assembly in a matter of minutes, or the frame system can also be ordered pre-assembled.

The Ultra-Fit Sash Replacement Kit is offered as a kit ready for field assembly complete with instructions and all necessary assembly and installation hardware. Shown with almond jambliner (also available in white) and optional 4 lite SDL grille in top sash and 1/4" removable wooden grille in lower sash in western pine interior.



Ultra-Fit Product Models



Presidential
(shown in pine with optional TDL muntin)



Congressional
(Exterior view shown in pine)

Classic Clad: Available in standard pine, or optional hardwoods of oak, cherry, and mahogany. Exterior of sashes are covered in maintenance-free roll-formed aluminum in a choice of white, bronze, earthtone, beige, black or hunter green exterior finish. Custom colors are also available.

Heritage: All wood primed exterior. Sashes are offered standard in pine.

Federal: All wood primed exterior. Sashes with authentic 1 1/8" True Divided Lite (TDL) muntins available standard with insulating glass in pine. Single 1/8" glazing also available.

Presidential: All wood primed exterior. Segmented arched top sash available in pine with optional True Divided Lite muntins.

Congressional: All wood primed exterior. Half round radius top sash available in pine (std) or mahogany shown with optional simulated divided lite (SDL) muntins.

Interior of sash in all models are natural unfinished wood and can be painted or stained.

Exterior of Heritage, Federal and Presidential sash available unprimed.

See page 9 & 10 for further details on grille options.



True Divided Lite

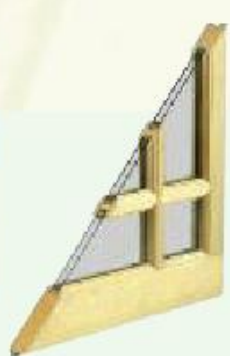
The historically accurate look of authentic True Divided Lite (TDL) is available with the Federal and Presidential models. The 1 1/8" TDL muntin has the look of true putty glazing and is available in standard insulating glass. TDL not available with Classic Clad model.



Classic Clad
(shown in earthtone with SDL grille option)

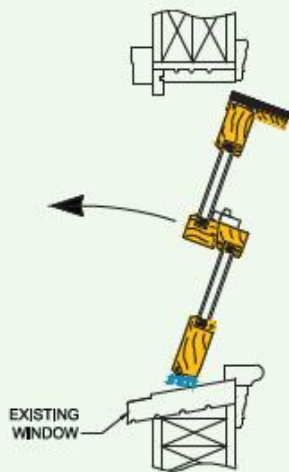


Heritage
(shown in pine with SDL grille option)



Federal
(Interior view shown in pine)

All models feature 3 1/4" tall bottom rail as shown above or historic 4" rail. All with matching picture window sash.



OPTIONS

Legends SERIES DR200 REPLACEMENT WINDOWS



All wooden grille options are available in custom design divided lite patterns in matching pine, oak, cherry or mahogany and can be painted or stained to match window finish.

Grille Options

Flat In-glass Aluminum: Maintenance-free $\frac{3}{8}$ " between the glass flat aluminum muntin in matching exterior cladding color.

Also available in diamond lite patterns.

Sculptured In-glass Aluminum: Maintenance-free $\frac{3}{4}$ " between the glass sculptured aluminum muntin in matching exterior cladding color. Available only in divided lite patterns.

Wood Removable: Wooden removable interior grille available in $\frac{1}{8}$ " or $\frac{7}{8}$ " width.

Combo Wood-Aluminum: Wooden interior grille available in removable or permanently applied $\frac{1}{8}$ " width which overlays a maintenance-free Flat In-glass Aluminum muntin in matching exterior cladding color.

Simulated Divided Lite: An authentic "putty glaze" look is achieved with the simulated divided lite (SDL) grille package in either $\frac{1}{8}$ " or $\frac{7}{8}$ " widths. The standard SDL system includes permanently applied exterior aluminum muntins with the choice of removable or permanently applied wooden interior grilles. Also available with optional in-glass bronze spacer bar (See page 2).



$\frac{7}{8}$ " SDL in bronze finish

See page 10 for additional grille specifications and details.



$\frac{1}{8}$ " Removable mahogany wooden grille



$\frac{1}{8}$ " Removable cherry wooden grille



$\frac{1}{8}$ " In-glass aluminum muntin in white finish



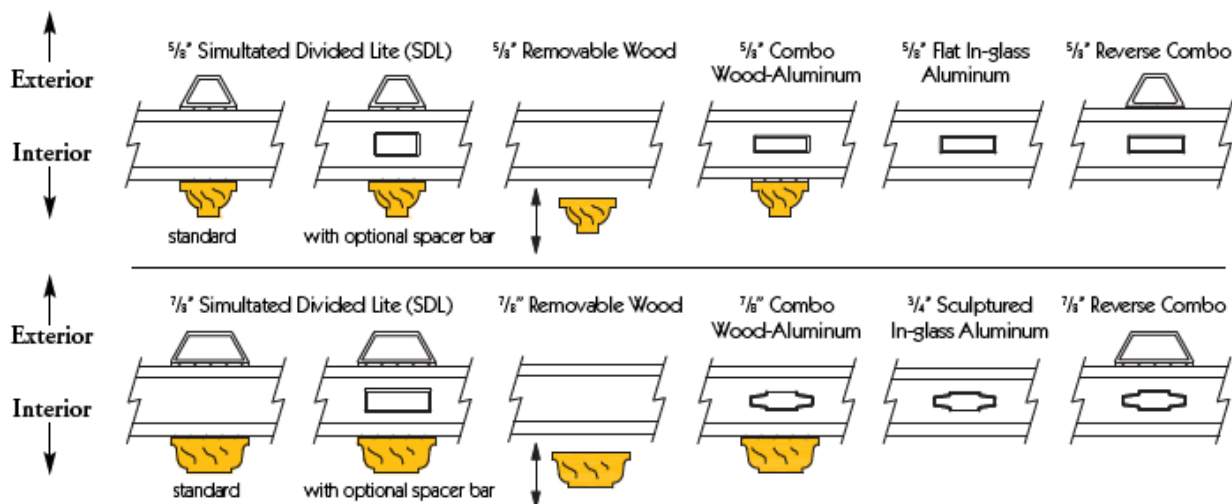
Combo Wood-Aluminum shown in oak with $\frac{1}{8}$ " removable grille



$\frac{7}{8}$ " SDL in earthtone finish

3 $\frac{1}{4}$ " tall bottom sash rails are used on all TrimLine double-hung windows to more closely replicate the look and feel of older wood windows. Optional 4" rail is also available.

Grille Options



Options & Features

- DR200 - 3 1/4" replacement style jamb for sash pocket installation
- DR300 / DH100 - One piece 4 9/16" jamb for full tear-out remodeling projects or with snap-in nailing flange for new construction
- Order by manufacture size to 1/8" width and height
- Factory applied extension jambs available for wall thicknesses over 4 9/16"
- Optional Comfort Plus Low E insulating glass with Argon gas (standard with Eclipse)
- Maintenance - free clad master frame is of heavy .060" extruded aluminum
- Sash are of solid 6/4 stain grade western pine (standard) kiln dried & treated with a wood preservative
- Optional hardwood interiors in oak, mahogany, and cherry
- Choice of jambliner in white or beige color
- Block & tackle balances never need adjusting for years of smooth, quiet & effortless operation
- Dual locks on all units over 28" wide
- E-Z Tilt sash with locking pivot shoe for safe easy cleaning & sash removal
- Double weatherstripping for low air infiltration
- White, bronze, earthtone, beige, black or hunter green exterior cladding finish; custom exterior clad colors available
- Interior is of stain grade solid western pine available primed or unfinished and can be painted or stained
- Hardware available in 4 styles and 7 finishes (see page 11)
- DR200 standard with heavy extruded aluminum sliding half screen with integral lift rail and 18 x16 charcoal fiberglass screen mesh; optional full screen and wire screen mesh also available

- DR300 / DH100 available with standard full screen or optional sliding half screen
- Oriel/Cottage style in any proportion sash size
- Matching picture window (DPW200/300) for combination set-ups
- Tall bottom sash rails 3 1/4" high on all double-hungs to more closely replicate the look and feel of older wood windows (4" historic bottom rail also available)
- DH100 available in over 180 standard sizes and combinations
- DR300 / DH100 mull with other double-hung, casement & architectural products
- Brickmoulding/Panning options available as shown on page 5 & 12
- All double-hung units available with optional foam wrap frame for an extra weather tight installation. Foam wrap standard with Ultra-Fit Sash Replacement system
- Tempered, bronze, grey and green tinted glass and 30 decorative art glass options
- Laminated glass for security and safety as well as sound control to keep more of the noise outside

SIZING LIMITATIONS

PRODUCT	WIDTH		HEIGHT		UNITED INCH Max
	Min	Max	Min	Max	
DR200, DR300, DH100, Eclipse Operating Top & Bottom Sash Fixed Top Sash	14"	48"	24"	84"	132"
DPW (Picture)	14"	84"	14"	96"	156"
Ultra-Fit	13"	48"	24"	84"	120"

OPTIONS

HARDWARE OPTIONS

Double Hung Hardware

E-Z Tilt sash release latches as shown on page 2 will match hardware finish specified. Also, roused finger lift option available as shown on page 3.

Traditional



Oil Rubbed Bronze



White



Beige



Bronze



Chrome



Antique Brass



Brass

Restoration



Antique Brass



White



Beige



Bronze



Chrome



Oil Rubbed
Bronze



Brass

Vintage



Polished Brass



Satin
Chrome



Polished
Chrome



Satin Brass



Oil Rubbed
Bronze



Antique Brass



Satin Nickel

Eclipse



Brass



White



Beige



Chrome



Bronze

OPTIONS

Brickmoulds and Panning Systems* (See page 5)



Meridian



Kensington



Lexington



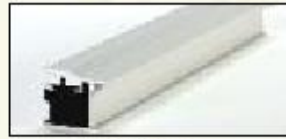
Cambridge



Richmond



Huntingdon



WP 908



Arlington

Historic Sills* (See page 5)



*Panning, historic sills and spread mullions for use with DR300 and C4000 only

Spread Mullions*



3" Flat 4 1/2" Beaded 6" Fluted 6" Flat 4 1/2" Flat

Jambliner

Vinyl jambliners are provided in beige or white.



Bottom Rails



Optional 4" Historic

Standard 3 1/4"

See page 18 for wood species and exterior cladding color options.

SERIES C3000 REPLACEMENT CASEMENT

TrimLine awning windows project outward letting the fresh air in while keeping out the rain. They can be stacked to fill vertical spaces, set in an expansive array of operating and fixed units or set up high side by side for privacy. TrimLine awning units are available custom sized with a 3 1/4" replacement jamb or 4 9/16" jamb for remodeling and with a nailing flange for new construction.

AW3000



To insure maximum operator efficiency and avoid sash chatter both the operator and hinge size for every TrimLine awning window is specifically matched to the window width and height for optimum compatibility and performance.



The multi-point lockbar features adjustable self-locating lock points for maximum pull-in capability of the sash against the weather stripping to prevent water and air infiltration.

All exterior casement hardware components are powder coated, providing a superior finish resistant to a wider range of corrosive materials including industrial cleaners as well as environmental pollutants. For the ultimate in corrosion resistance, 100% stainless steel hardware systems are also available for coastal applications.



The multi-point locking system features a single lock handle conveniently located at the bottom of the sash for hard to reach windows.



The concealed 2-bar "Washability Hinge" is tamper resistant and allows for quick and precise sash re-alignment within the window frame. The snap-ring detach feature also allows for quick sash removal. A nylon shoe slides along the stainless steel hinge track providing self cleaning action for longer life. Egress and 4-bar hinges are also available.



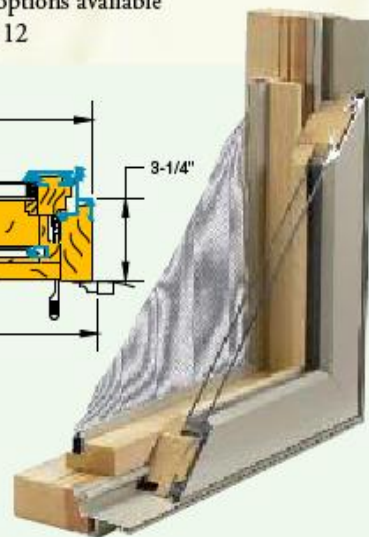
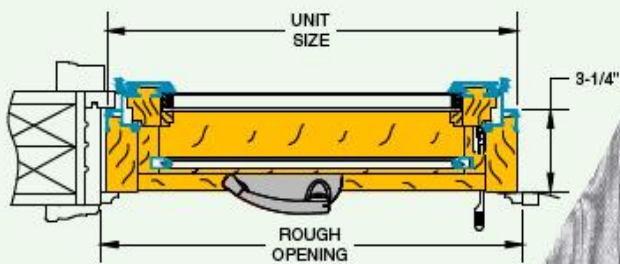
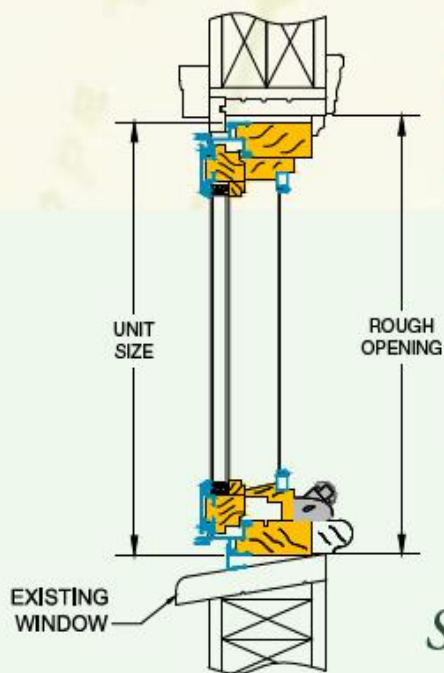
With casement hardware, the operator is the driver behind the entire system. Trimline's operator mechanism is laser cut to provide years of super-smooth performance and unequal quality. It is encased in an elegant zinc cast cover which cradles the folding operator handle and is available in an array of colors and architectural finishes (see page 16).



C3000 replacement casement in optional solid mahogany interior with antique brass hardware and 3/8" wooden removable grille with snap-fit surround frame. (See page 22) Shown trimmed with Colonial style casing by others.

Options & Features

- C3000/AW3000 - 3 1/4" replacement style jamb for sash pocket installation
- C4000/AW4000 - One piece 4 9/16" jamb for full tear-out remodeling projects or with snap-in nailing flange for new construction
- Order by manufacture size to 1/8" width and height
- Factory applied extension jambs available for wall thicknesses over 4 9/16"
- Comfort Plus Low E insulating glass with Warm Edge Super Spacer and Argon gas
- Maintenance – free clad master frame and sash is of heavy .060" extruded aluminum
- Solid 6/4 stain grade western pine (standard) kiln dried & treated with a wood preservative
- Optional hardwood interiors in oak, mahogany, and cherry
- Grille options as shown on pages 9 and 10
- Casement sash opens full 90° for maximum washability
- Dual locks on all casement units over 44" high
- "Maxim" hardware system for operating sizes up to 36" x 76"
- Double weatherstripping for low air infiltration
- Custom exterior clad colors available
- Interior available primed or unfinished and can be painted or stained
- Standard beige, white or earthtone color hardware. Also available in six architectural finishes. See page 16
- Screens available in white, beige or earthtone. Also available in paintable/stainable pine, oak, cherry or mahogany finish
- Standard fold away window cranks
- Matching picture window (CP3000/4000) for combination set-ups
- C4000 & AW4000 available in over 230 standard sizes and combinations
- Units can be field or factory mullied
- Brickmoulding/Panning options available as shown on pages 5 and 12



Series C3000

SERIES C4000 CASEMENT REMODELING

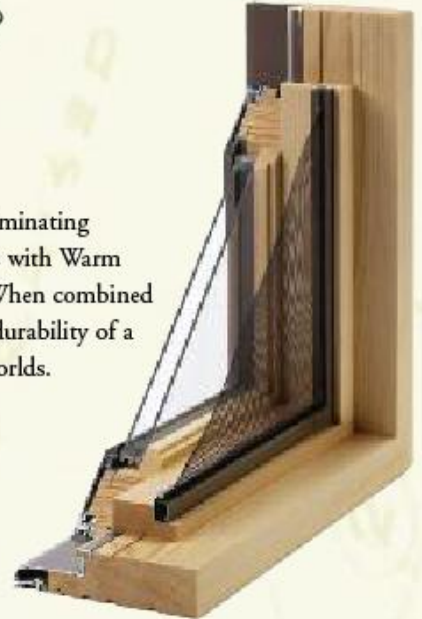
Why TrimLine Casement Windows?

- The timeless beauty and warmth of real wood interiors
- The worry – free durability of an aluminum clad exterior
- The energy efficiency of high performance Low E glass

TrimLine casement windows were designed and engineered with the energy wise discriminating consumer in mind. TrimLine's high performance Comfort Plus Low E insulating glass with Warm Edge Super Spacer and Argon gas is standard on all casement and awning windows. When combined with the superior insulating qualities of wood along with the tough maintenance-free durability of a clad exterior, TrimLine casement and awning windows truly offer you the best of all worlds.



CP4000 twin Casement Picture Window shown in standard pine interior with $\frac{7}{8}$ " wide Simulated Divided Lite grilles.

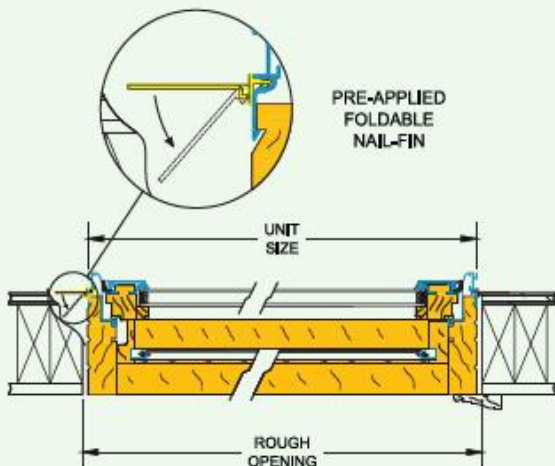


TrimLine Legends Series C4000 and AW4000 are ideal for those remodeling projects requiring complete removal of the old window frame. Order by manufacture size to the $\frac{1}{8}$ " in width and height with virtually any size jamb depth, the 4000 series is easily installed in any existing rough frame or masonry opening.



Series C4000

The C4000 is also furnished ready for installation with a standard full one piece $4\frac{9}{16}$ " jamb and applied folding nailing flange for new construction. Factory applied extension jambs available for other wall thicknesses. Shown above in earthen tone clad finish.



Hardware & Wood Options

Standard Colors



White



Earthtone



Beige

Architectural Finishes



Polished Chrome



Polished Brass



Antique Brass



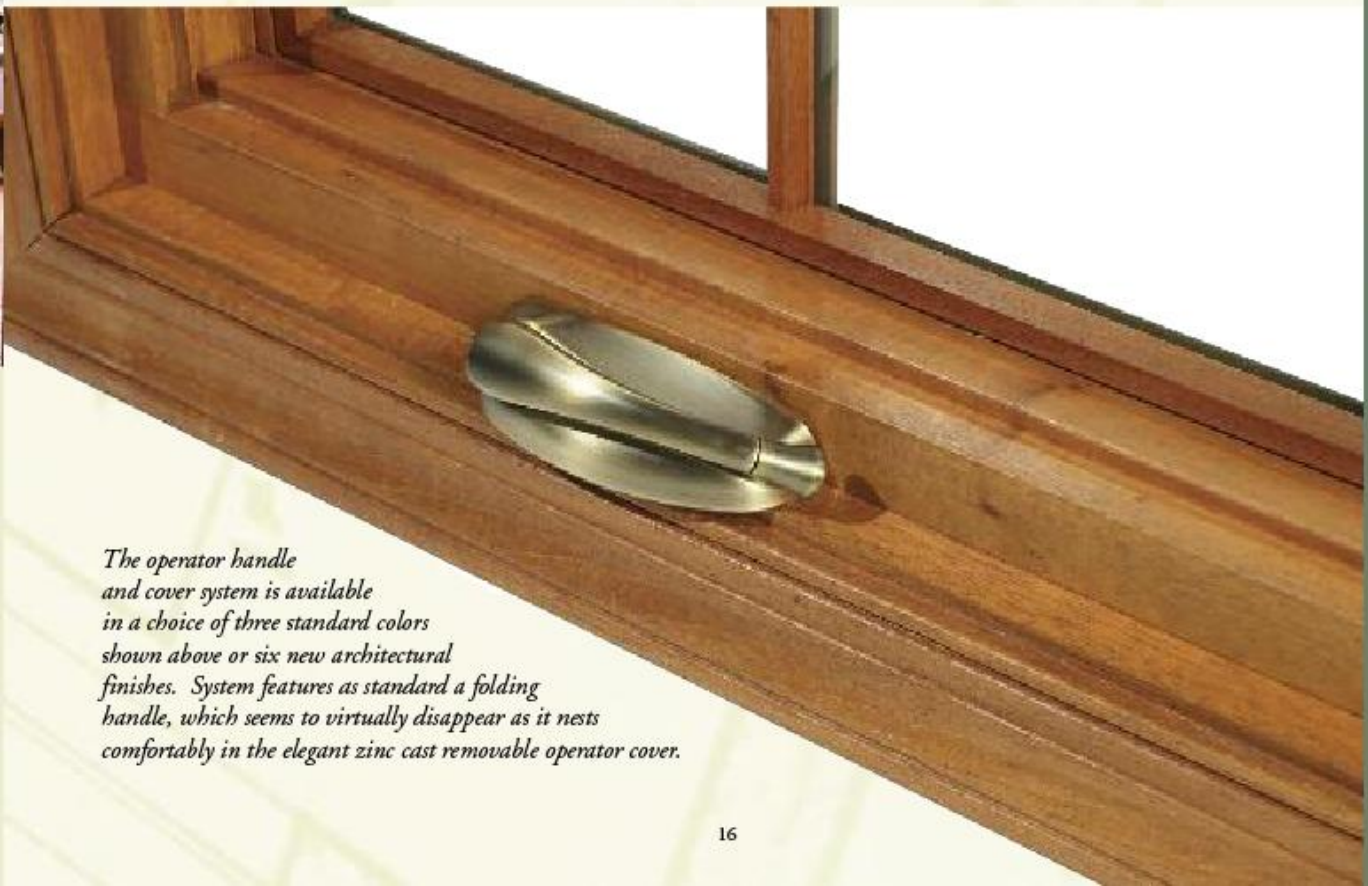
Oil Rubbed Bronze



Brushed Nickel



Satin Chrome



The operator handle and cover system is available in a choice of three standard colors shown above or six new architectural finishes. System features as standard a folding handle, which seems to virtually disappear as it nests comfortably in the elegant zinc cast removable operator cover.

SCREEN OPTIONS

Double Hung Full Screen for maximum top/bottom ventilation. Half screen also available.

Both screen systems standard with 18 x 16 charcoal fiberglass screen cloth or optional wire screen mesh.

Optional Interior Sliding Half Screen available to satisfy Historical Requirements (Furnished with a Routed Finger Lift Option only).



**Casement
Screens
Now Available
in paintable/stainable
Pine, Oak, Cherry
or Mahogany
finish.**



Oak



Cherry



Mahogany

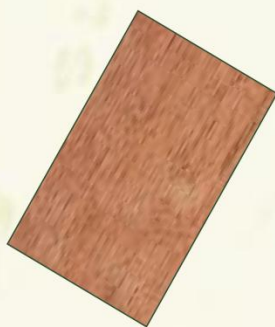


Pine

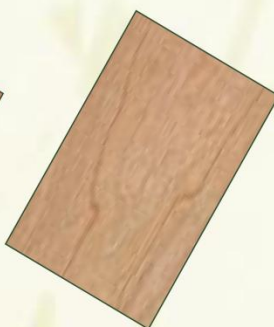


Standard screen frame colors are available in your choice of Black, White, Earthtone, Hunter Green, Bronze, Gold, and Beige

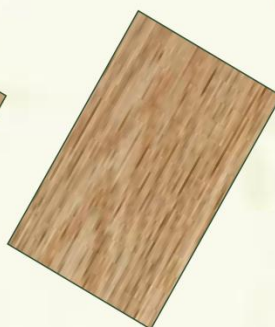
Interior Wood Species



Mahogany



Cherry



Oak



Pine (Standard)

Pine also available factory primed or pre-finished.

Exterior Color Options



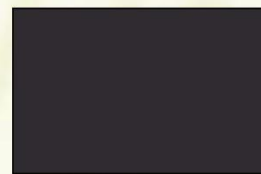
Maintenance-free exterior cladding finishes available in White, Bronze, Earthtone, Black, Beige and Hunter Green – custom colors also available.



White



Beige



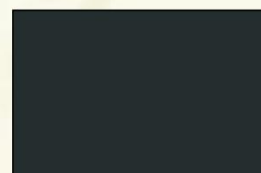
Bronze



Black



Earthtone



Hunter Green

SIZING LIMITATIONS

PRODUCT	WIDTH		HEIGHT		UNITED INCH
	Min	Max	Min	Max	Max
Casement & Awning					
C3000/4000	15"	30"	15"	72"	102"
C3000/4000*	15"	36"	15"	84"	112"
CP3000/4000	15"	84"	15"	84"	144"
AW3000/4000	15"	40"	15"	48"	88"
AW3000/4000**	15"	60"	15"	48"	108"
Bow Window	48"	144"	32"	84"	220"
30° Angle Bay					
Picture Center	52"	120"	32"	84"	192"
Multi-Lite Center	69"	144"	32"	84"	228"
45° Angle Bay					
Picture Center	48"	116"	32"	84"	192"
Multi-Lite Center	65"	144"	32"	84"	228"

* Requires Maxim hardware ** Over 40" width requires dual-locks

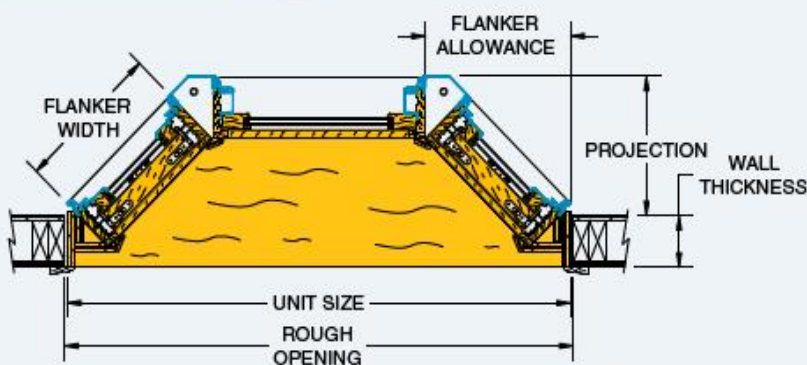
ANGLE BAY WINDOWS



Bay Window Projections

The projection of a custom bay window is the measurement taken from the outside face of the exterior building sheathing to the furthest outside point of the window. It is determined by the mullion angle and flanker width specified as shown in the Angle Bay Projection Guide to the right.

The size of the center unit is also determined by mullion angle and flanker width. It is determined by subtracting the Total Flanker Allowance (Flanker Allowance x 2) from the overall unit opening width.



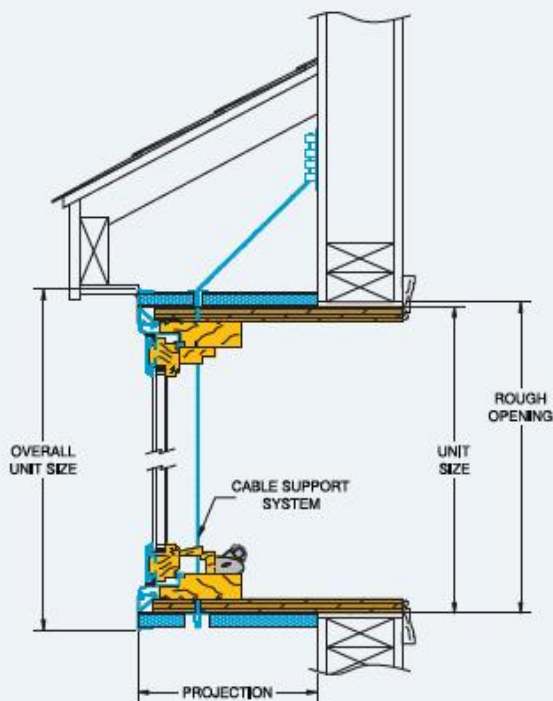
Enjoy the Beauty and Warmth of Wood

Any style angle bay can be constructed with either a picture window center or as a multi-section center with either double-hungs, casements, or fixed lites. You're only limited by your imagination!



TrimLine Legends series clad angle bays are available with either double-hung or casement windows which can be arranged in a variety of combinations by choosing from four different flanker widths and either 30 degree or 45 degree mullion angles. Whether just trying to achieve that certain distinctive look or trying to fit an opening with a limited projection, there's a TrimLine Angle Bay that'll work for you. And, the combination of wood and aluminum truly offers you the "best of all worlds"... on the interior you have the timeless style and warmth of wood along with its insulating qualities and on the exterior a tough aluminum clad finish offering years of maintenance-free durability.

Double-Hung Angle Bays also available with Eclipse flankers. Note: Double-Hung flankers standard with full screens.



Cable support system included with every Bow & Angle Bay window.



ANGLE BAY GUIDE			
ANGLE	FLANKER WIDTH	TOTAL FLANKER ALLOWANCE	PROJECTION
30°	1'5"	35"	10-3/8"
	1'8"	40-1/4"	11-7/8"
	2'0"	47-1/8"	13-7/8"
	2'4"	54-1/8"	15-7/8"
45°	1'5"	31-3/4"	14-3/4"
	1'8"	36-1/8"	16-7/8"
	2'0"	41-3/4"	19-3/4"
	2'4"	47-1/2"	22-1/2"

BOW WINDOWS

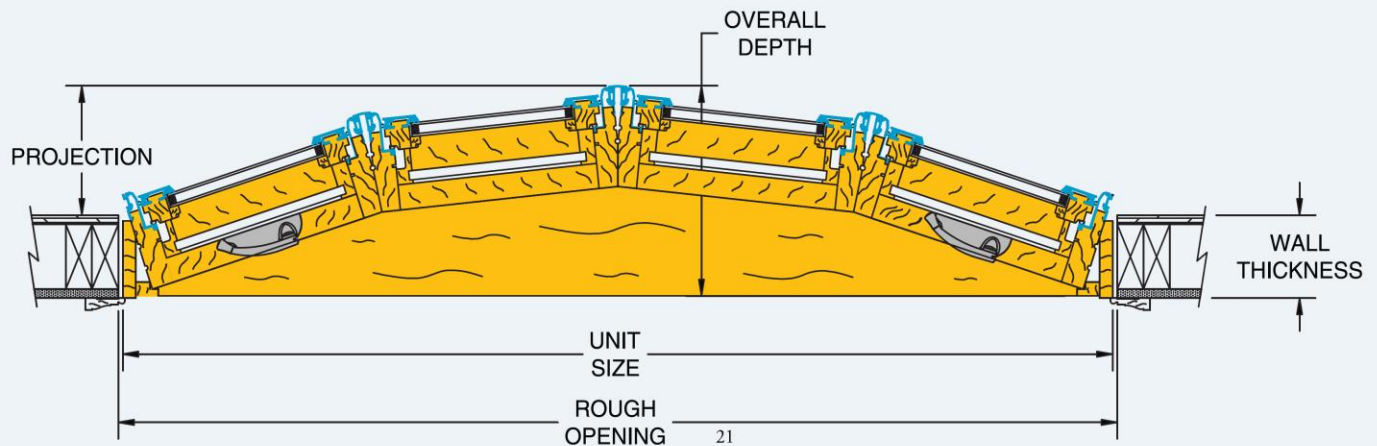
Bow & Angle Bay Units

STANDARD SPECIFICATIONS

- Interior is of stain grade solid western pine with white birch head and seat board
- Custom sizes to 12' wide and 7' high
- Comfort Plus Low E insulating glass with Warm Edge Super Spacer and Argon gas
- Double strength glass for added sound abatement
- Any bow combination of stationary and operable casement sash from three to seven lites wide
- Fully assembled ready for installation
- Insulated seat board with pre-finished exterior
- Cable support system (pre-hung)
- White, bronze, earthtone, beige, black or hunter green exterior cladding finish
- Two locks on double-hung sash over 28" wide
- Multi-point hardware on all casements/awnings

OPTIONAL FEATURES

- Any specified jamb depth with solid one piece head and seat board
- Seven designer colors of hardware with standard folding operator handle
- Choice of hardwood interior in oak, cherry or mahogany
- Choice of grilles (see options pages 9 and 10)
- Custom color exterior finish available
- Tempered, bronze, grey and green tinted glass and 30 decorative art glass options
- Laminated glass for superior safety as well as sound control to keep more of the noise outside
- Functional/decorative knee bracket supports



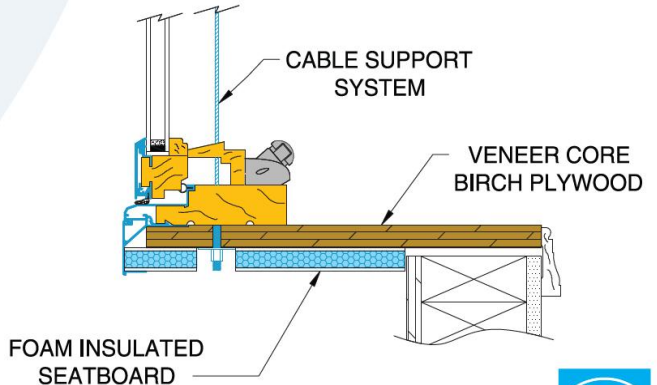


All wooden removable grilles for casement windows are provided with full surround frame (above) and concealed snap fit hardware (left) in 5/8" or 7/8" wide profile.



10° BOW WINDOW PROJECTION GUIDE

UNIT WIDTH	NUMBER OF LITES	PROJECTION
48-62	3	3 1/2" - 4 5/8"
63-73	3	4 5/8" - 5 3/8"
74-84	3	5 3/8" - 6 1/4"
85-91	3	6 1/4" - 6 3/4"
69-82	4	7 7/8" - 9 3/8"
83-97	4	9 3/8" - 11"
98-108	4	11 1/8" - 12 3/8"
109-120	4	12 3/8" - 13 5/8"
86-100	5	11 3/8" - 13 1/4"
101-115	5	13 3/8" - 15 1/8"
116-129	5	15 1/4" - 17"
130-144	5	17 1/8" - 19"
102-120	6	15 3/4" - 18 1/2"
121-130	6	18 5/8" - 20"
131-144	6	20 1/8" - 22 1/4"





Shown in white clad exterior with 7/8" Simulated Divided Lite grilles.

Legends Circle-Top

products can be either factory or field mulled with double-hung, casement or other architectural products. Optional Simulated Divided Lite, as well as in-glass aluminum muntins or removable wooden grilles are available in virtually any pattern with all Trimline Legend series Circle-Top windows.





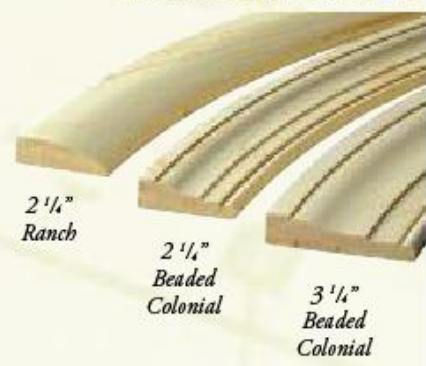
Half Round Circle-Top muller above twin CP4000 shown in standard western pine with optional 7/8" Simulated Divided Lite grille system and 2 1/4" Colonial trim.



Exterior Frame System

The exterior cladding is of heavy .060" maintenance-free extruded aluminum. The frame system features a continuous integral nailing flange around the entire window perimeter which also serves as a window flashing ensuring a weather tight installation. The exterior cladding is available in white, bronze, earthtone, beige, black and hunter green, as well as custom colors.

Interior Arch Casings



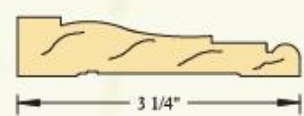
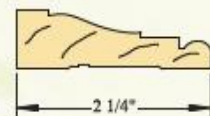
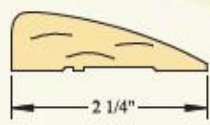
2 1/4" Ranch

2 1/4" Beaded Colonial

3 1/4" Beaded Colonial

Interior Frame System

All Legends series Circle-Top windows are manufactured with full 4 9/16" jambs with interiors of stain grade western pine or optional hardwoods of oak, cherry and mahogany. Circle-Top units are direct-set glazed with a silicone sealant from the interior with decorative wooden stops, and can be ordered with full one piece jambs for virtually any wall thickness.



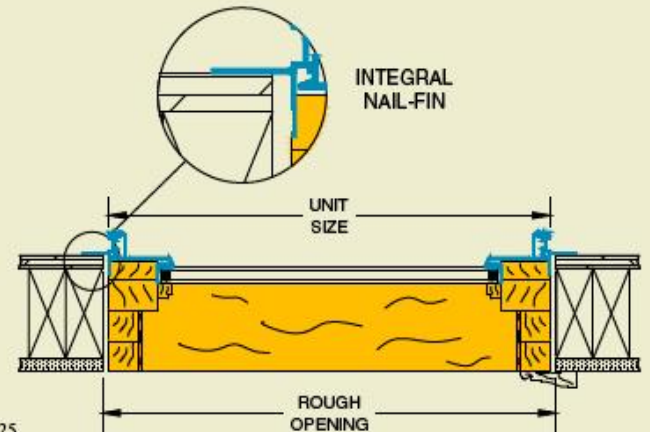
TrimLine's Comfort Plus Low E insulating glass with Warm Edge Super Spacer and Argon gas is standard with all Legends Series Circle-Tops.



One piece interior arch casings are available in 2 1/4" wide Ranch style or Beaded Colonial in both 2 1/4" and 3 1/4" widths.



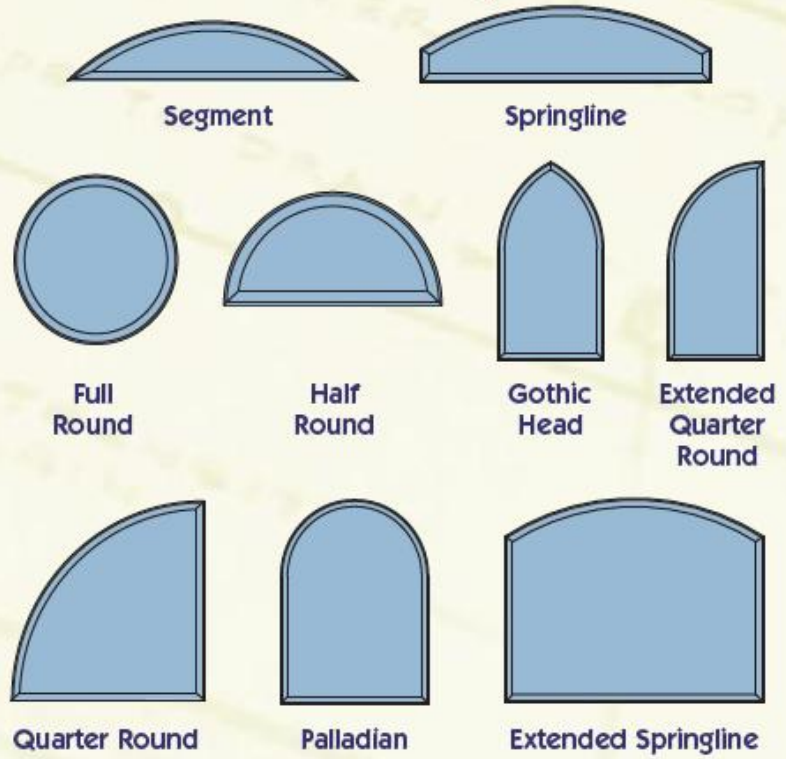
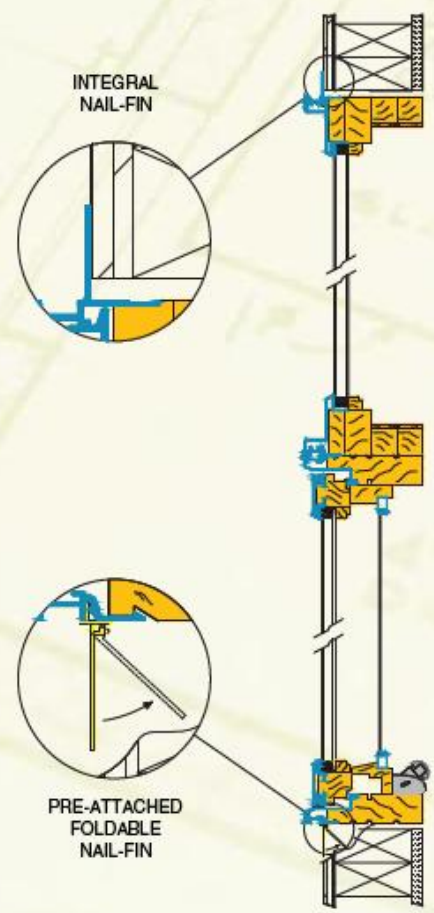
*Let TrimLine
Circle-Top windows
add character and
distinction to your
unique design.*



Quality, Beauty, Affordability... TrimLine Circle-top Windows

Whether your tastes are traditional or contemporary every TrimLine Circle-Top window regardless of size, shape or style is individually handcrafted from the finest materials and with energy efficiency in mind.

Gothic Head shown with one piece 6 9/16" jamb and standard pine interior with optional 7/8" removable wooden grille and 2 1/4" interior Colonial casing.





Maintenance-free exterior clad finish is of .060" extruded aluminum in white, bronze, earthtone, beige, black or hunter green with custom colors also available. The Direct-Set VersaFrame profile simulates the authentic look of a true "sash-in-frame system". Whether used as a stand alone feature window or combined with other TrimLine double-hung, casement or architectural products TrimLine's VersaFrame is a wise economical choice to match and compliment other 4 9/16" jamb Legends clad systems. Comfort Plus Low E insulating glass with Warm Edge Super Spacer and Argon gas is standard in all VersaFrame units.

- *Transom*
- *Sidelight*
- *Picture*
- *Trapezoid*
- *Feature Window*



Shown in Earthtone clad finish with standard western pine interior and snap-in nailing fin for new construction.

TrimLine's Direct-Set VersaFrame System Looks Great from Any Angle!

The exterior profile of the VersaFrame is designed to accept the same Simulated Divided Lite grille system used in other Legends clad products. All other grille options shown on pages 9 and 10 are also available with the VersaFrame system. Factory applied extension jambs are available for virtually any wall thickness in matching pine, oak, cherry or mahogany. Interior window trim is available pre-cut in 2 1/4" Ranch style or Beaded Colonial in either 2 1/4" or 3 1/4" widths eliminating the need for complex jobsite miter cuts.



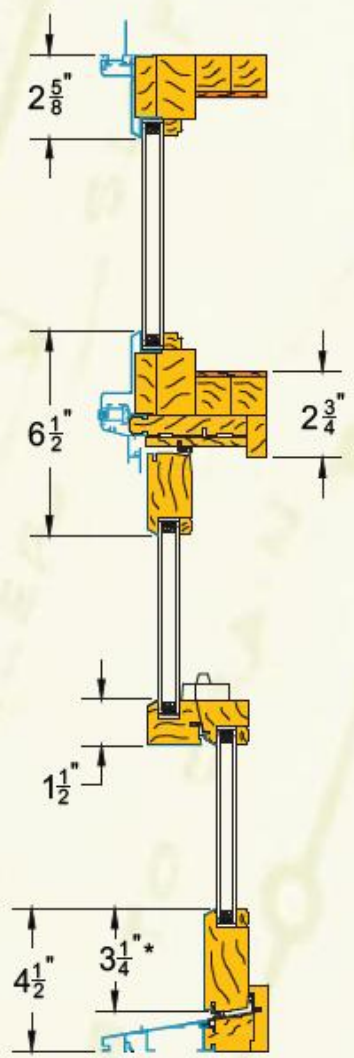
Shown in beige clad finish with custom decorative grille in 7/8" Simulated Divided Lite system.



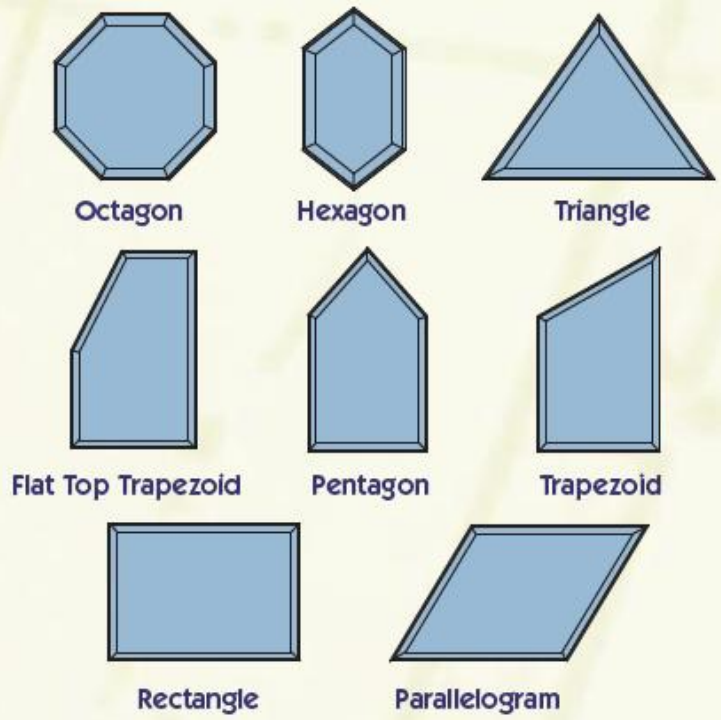
Available only with 4 9/16" jamb in stain grade 6/4 western pine or optional hardwoods of oak, cherry and mahogany. The insulating glass in VersaFrame units are direct-set with a silicone sealant from the interior with decorative wooden stops creating an extra water tight glazing system.



VERSAFRAME
GEOMETRIC
Window Shapes



*Optional 4.0" Rail Available
(See page 12)



SIZING LIMITATIONS					
PRODUCT	WIDTH		HEIGHT		UNITED INCH Max
	Min	Max	Min	Max	
Circle-Top	24"	96"	12"	96"	156"
VersaFrame	12"	120"	12"	120"	156"



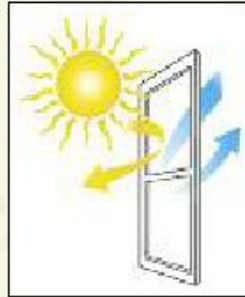
VersaFrame direct-sets can be glazed with decorative art glass for transom or sidelights to create an added look of distinction for entryways.



Comfort PLUS GLASS

Get Comfortable... It's time for your glass to go to work

The environment is not your friend. It has a tendency toward dramatic fluctuations throughout a single day – not to mention throughout an entire season. TrimLine's Comfort Plus Glass actually goes to work, regulating your interior environment every day, every hour, in every season – unlike "standard" glass which really just sits in a window passively. That's the beauty of the world's most advanced low-E glass.



Keeps you warm when it's cold outside.

The insulating Value of Comfort Plus Glass has been improved by as much as 50% over standard clear glass – resulting in significantly lower energy costs when heating your home. Now, even the coldest regions can enjoy the view with little or no impact on energy consumption.

Keeps you cool when it's hot outside.

With TrimLine's Comfort Plus Glass, solar heat gain and damaging radiation can be significantly reduced without sacrificing clear views and daylight. It blocks up to 50% more unwanted solar energy than standard clear glass, and up to 40% more than even dark tinted glass. As a result, air conditioning expenses are lowered while providing a more comfortable living environment. Comfort Plus Glass also blocks nearly twice as much harmful radiation as clear glass, extending the life of woodwork, carpets and furnishings, while still allowing plenty of natural sunlight to brighten interior spaces.

Keeps you comfortable in any climate.

In mild climates or in climates that enjoy mild seasons, southern and western elevations of a home can be exposed to significant unwanted solar heat gain. The result is a higher temperature in rooms that are exposed to the sun, while the rest of your home and the air outside remain at a comfortable level. Comfort Plus Glass greatly reduces this effect and helps maintain a uniform comfort level throughout your home.

Trimline's Comfort Plus Low E Glass regulates your home's temperature to help keep you cool when it's hot and warm when it's not.

Homeowner Benefits

- Increased comfort – any climate, any season
- Reduced heating and cooling bills
- Protection from damaging UV rays that can fade carpets, walls and furniture
- Color – neutral for crisp, clear views
- Helps keep indoor humidity at comfortable and healthy levels by keeping glass warmer, which in turn minimizes health issues from mold and mildew
- Virtually eliminates condensation
- Helps homes stay cooler in the summer & warmer in the winter



A GLASS FOR EVERY SEASON. EVERY HOME.

Comfort Plus Glass regulates the effects of external environmental conditions, like the height and intensity of the sun, to ensure that interiors stay comfortable and safe from harmful UV rays.

Comfort PLUS Energy and Condensation Control System



FULL-METAL SPACER

With conventional metal spacers, condensation can be expected in extreme weather conditions.



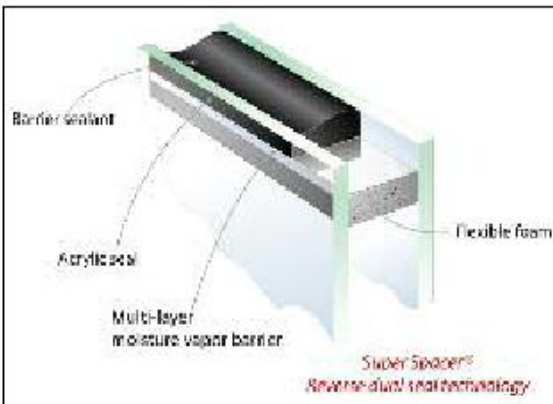
NO-METAL SUPER SPACER

Patented silicone foam design dramatically reduces condensation, delivering the clearest picture in warm edge technology.

Both photos were taken during the same condensation test under identical conditions

Warm Edge refers to the type of spacer material used to separate the panes of glass in an insulating unit. Many of today's energy efficient windows offer glass packages touting "Warm Edge Technology." The problem is these new windows often use thermally conductive metal-based spacers in their insulating glass systems. The world's only True Warm® edge occurs with Super Spacer®, an insulating foam spacer whose use allows for comfortable humidity levels and the least likelihood of condensation and mold growth, the occurrence of which has more and more been linked to a myriad of health problems.

When combined with double strength glass, Super Spacer® substantially reduces outside noise and keeps moisture off the glass with the warmest inside surface temperature possible.



If Super Spacer® isn't standard equipment on your windows...



...clearly there aren't many options left to wipe-out condensation.

Super Spacer's all-foam formula and innovative dual-seal design provides the ultimate in warm edge condensation resistance and energy efficiency.

There are two types of insulating glass systems on the market today: single seal and dual seal systems. Single seal units are constructed of only one type of sealant which must perform double duty: it must retard the infiltration of moisture vapor and it must also hold the unit together structurally under a wide range of weather conditions .

A dual – seal system is constructed using one sealant that functions as a high-strength structural adhesive and a second sealant which serves to stop moisture vapor transmission. Super Spacer® is a dual seal insulating glass system.

Which system do you want in your windows?
The choice is CLEARLY yours!

LEADED/BEVELED GLASS

Timeless Elegance... Old World Charm

- All decorative art glass panels are triple insulated for added warmth and energy savings; sealed between two sheets of clear annealed glass the leaded / beveled panel insert is permanently protected from damage and dirt and unlike clip-on grilles, nothing gets in the way of cleaning the interior and exterior surfaces.
- Multifaceted beveled clusters of glass are gracefully defined by the enduring elegance of authentic metal caming.

AMERICAN CLASSICS COLLECTION

Phoenix



Providence



Santa Fe



Cheyenne



New Haven



Sedona



Carmel



Greenwich



Juneau



Williamsburg



Aspen



Pueblo



Concord



Princeton



Dover



Chicopee



Compliment your décor and individualize your Art Glass selection by choosing from four metallic caming options in:

Brass, Nickel, Patina (Black) or Zinc.

AMERICAN CLASSICS COLLECTION

Aberdeen



Madison



Lexington



Raleigh



Newport



Monticello



Hartford



Scarsdale



Monterey



St. Helens



Mt. Vernon



Hyannis



Joliet



St. Augustine



Brass



Nickel



Patina
(Black)



Zinc

- Decorative Art Glass available in all casement, picture window, and architectural products
- Clear tempered glass standard on all units over 15 square feet; under 15 square feet tempered glass optional

- For safety, maximum size shall not exceed 25 square feet
- Low E glass not available because of heat build-up with dark colors and metal casing

Glazing Options

- Standard clear insulating glass
- Comfort Plus Low E insulating glass with Argon gas mixture
- Heat treated Tempered safety glass
- Laminated glass for added safety and security as well as sound control to keep more of the noise outside.
- Tinted glass in Grey, Bronze and Green
- Obscure glass for privacy

All insulating glass is constructed with 1/8" double strength glass and Warm Edge Super Spacer.

NFRC Provides Fair, Accurate and Credible Energy Performance Information

TrimLine Windows has passed the Energy Performance criteria of the National Fenestration Rating Council (NFRC) as well as Energy Star from the U.S. Department of Energy. **Energy Star is the national symbol for energy efficiency.** These energy performance criteria offer the consumer the only reliable method for comparing different window products as the NFRC / Energy Star rating system is based on total product performance.

U-factor measures how well a product prevents heat from escaping a home or building. U-Factor ratings generally fall between 0.20 and 1.20. The lower the U-factor, the better a product is at keeping heat in.

Solar Heat Gain Coefficient (SHGC) measures how well a product blocks heat from the sun. SHGC is expressed as a number between 0 and 1. The lower the SHGC the better a product is at blocking unwanted heat gain. This is especially important during the summer cooling season.

Visible Transmittance (VT) measures how much light comes through a product. The higher the VT the higher the potential for day lighting.

Twenty Year Non-Prorated Glass Warranty

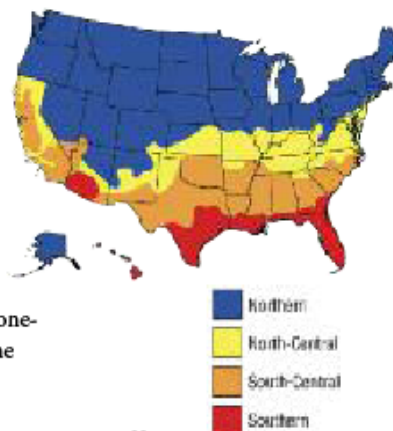


TrimLine uses only double strength glass which is 1/8" in thickness providing added sound abatement keeping more of the noise outside.



Knowing the Facts About Energy Star – U-Factor (U-Value)

Energy Star windows reduce household energy bills by 7-15 percent. The rate of heat loss through a window is determined by the U-Factor (U-Value). The lower the U-Value number, the better the insulating properties. In the same spectrum, the better the insulating properties, the more money will be saved on heating and cooling costs. When windows account for almost one-quarter of household energy, investing in a Trimline window is the perfect solution.



Climate Zone	Windows		
	U-Factor ¹	SHGC ²	
Northern	≤ 0.30	Any	Prescriptive
	-0.31	≥ 0.35	Equivalent Energy Performance
	-0.32	≥ 0.40	
North-Central	≤ 0.32	≤ 0.40	
South-Central	≤ 0.35	≤ 0.30	
Southern	≤ 0.60	≤ 0.27	

¹ Btu.h.ft².F

² Fraction of incident solar radiation

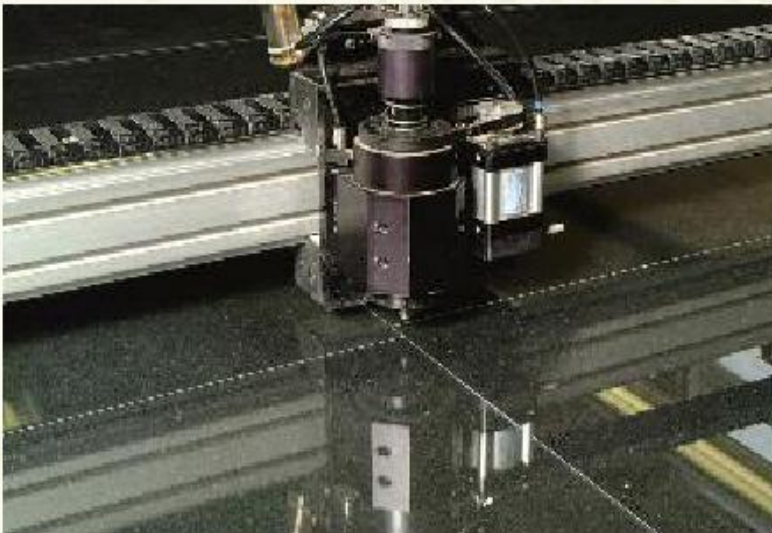
		NFRC Thermal Performance						AAMA/NWWDA 101/I.S. 2-97 Structural Performance			
		U-Factor		SHGC		V.T.		CRF	Air Infiltration cfm/ft ²	Design Pressure	Performance Class-Grade
		Grids		Grids		Grids					
None or <1"	None	<1"	None	<1"	None						
LEGENDS CLAD SERIES											
DOUBLE HUNG											
DR200	Clear	.47	.56	.50	.59	.52	43	0.08	DP-45	LC-45	
	Low E Argon	.30	.28	.25	.51	.45	57				
DR200-PW	Clear	.47	.60	.54	.63	.56	46	0.03	DP-60	CW-60	
	Low E Argon	.29	.30	.27	.54	.48	57				
DR300	Clear	.46	.57	.51	.59	.52	43	0.08	DP-45	LC-45	
	Low E Argon	.29	.28	.25	.51	.45	57				
DR300-PW	Clear	.46	.59	.52	.61	.54	46	0.03	DP-60	CW-60	
	Low E Argon	.29	.29	.26	.53	.47	59				
E200	Clear	.47	.56	.50	.59	.52	43	0.08	DP-45	LC-45	
	Low E Argon	.31	.28	.25	.51	.45	57				
E300	Clear	.46	.57	.51	.59	.52	43	0.08	DP-45	LC-45	
	Low E Argon	.29	.28	.25	.51	.45	57				
CASEMENT											
C3000	Clear	.48	.55	.50	.57	.51	42	< .01	DP-70	CW-70	
	Low E Argon	.32	.28	.25	.49	.44	57				
C3000-PW	Clear	.48	.55	.50	.57	.51	42	< .01	DP-70	CW-70	
	Low E Argon	.32	.28	.25	.49	.44	57				
AW3000	Clear	.48	.55	.50	.57	.51	42	< .01	DP-70	CW-70	
	Low E Argon	.32	.28	.25	.49	.44	57				
C4000	Clear	.48	.55	.50	.56	.51	42	< .01	DP-70	CW-70	
	Low E Argon	.33	.28	.25	.49	.44	57				
C4000-PW	Clear	.48	.55	.50	.56	.51	42	< .01	DP-70	CW-70	
	Low E Argon	.33	.28	.25	.49	.44	57				
AW4000	Clear	.48	.55	.50	.56	.51	42	< .01	DP-70	CW-70	
	Low E Argon	.33	.28	.25	.49	.44	57				
VERSA-FRAME											
Geometric	Clear	.47	.64	.57	.67	.59	41	N/A	N/A	N/A	
	Low E Argon	.28	.32	.29	.57	.51	55				
ULTRA - FIT		None or < 1" bar	With TDL	None or < 1" bar	With TDL	None or < 1" bar	With TDL	CRF	Air Infiltration cfm/ft ²	Design Pressure	Performance Class-Grade
Classic Clad	Clear	.46	N/A	.57	N/A	.51	N/A	43	ASTM E330 - No Glass Breakage ASTM E547 - No Water Leakage		
	Low E Argon	.30	N/A	.28	N/A	.25	N/A	57			
Heritage Federal Presidential Congressional	Clear	.47	.48	.53	.42	.56	.43	43	ASTM E330 - No Glass Breakage ASTM E547 - No Water Leakage		
	Low E Argon	.30	.35	.27	.21	.48	.37	57			

TrimLine Windows' Ultra Fit Sash Replacement Kit is virtually the only sash replacement system on the market that passes all AAMA testing requirements due to its complete unitized frame system which includes a new head and sill for easy and energy tight installation.

Keeping Up With Technology



The Enduron sealing system was specifically developed for robotic edge sealing of insulating glass units, shown above applying hot butyl over superspacer creating a double sealed system.



The use of computerized glass cutting tables creates precise, clean cuts which along with the added strength of the 1/8" glass, helps minimize stress fractures which are a major contributor to insulating glass seal failures.



At the heart of Trimline's prefinishing process is the HalCon curing tunnel which uses halogen short wave heating elements to convert electrical energy into infrared, which penetrates deeper and faster into the finish coating thereby promoting a more durable and consistently smoother finish by curing from the inside out.

Trimline utilizes advanced CNC milling technology, ensuring the quality of intricate designs can be repeated accurately.



State-of-the-art manufacturing methods ensure quality, durability, and beauty. TrimLine strives to improve the quality of products with the latest technology available.



CONTACT US

CONTACT US



Located in suburban Philadelphia, Trimline Windows has been manufacturing quality custom clad wood and all wood windows for use in replacement, remodeling and historically certified rehabilitation projects for nearly 50 years. Trimline offers one of the broadest product lines in the replacement window and remodeling industry.



Need Help Finding a Dealer?

We're here to help you!

800.213.6100

trimlinewindows.com



WARRANTY

TRIMLINE WINDOWS, INC. NONPRORATED, LIMITED 10/20 YEAR WOOD WINDOW WARRANTY

Trimline Windows, Inc. warrants its Clad Wood, and All Wood windows and Sash Replacement kits to be free from material defects for the period(s) as set forth below:

WHO IS COVERED

This limited warranty extends to the original purchaser of the window for the period(s) as described below from the purchase date of the window.

WHAT IS COVERED

The vinyl and aluminum extrusions and wood components used in the window are warranted to be free from defects under normal use and service and are warranted not to pit, rot, rust, flake, corrode, peel or blister for ten (10) years from date of purchase.

The insulating glass is warranted against defects resulting in material obstruction of vision from film formation, dust collection or moisture collection within the sealed glass for twenty (20) years from date of purchase, non square and decorative/leaded insulated glass is warranted for five years.

The hardware and other components or accessories are warranted against defects under normal use, care and cleaning for ten (10) years from date of purchase.

Repairs of any defects that arise or become manifest after the expiration of the warranty period are not the responsibility of Trimline Windows, Inc.

WARRANTY CLAIM PROCEDURE

Any claims of defects under this warranty are to be made in writing to Trimline Windows, Inc., Ginkgo Industrial Park, 50 Louise Drive, Ivyland, PA 18974, Attn: Warranty Claim Dept. Claims should be made within ten days of the discovery of the suspected defect. Included with the claim must be a copy of this warranty showing installing contractor's name and date of installation and proof of original purchase date.

If the windows are found to be in nonconformance with the terms of this warranty, Trimline Windows, Inc. agrees, at its option, to repair or replace the defective part(s). Field service costs to repair or replace defective part(s) will not be charged by Trimline Windows, Inc. for a period of one year following the date of original purchase. After the first year Trimline Windows, Inc. will not be responsible for any field service labor or transportation costs incurred in the repair, removal, replacement, installation of the window or any window component. Service calls will be charged at the then prevailing rate for labor and mileage.

REPLACEMENT PARTS

Trimline Windows, Inc. reserves the right to discontinue or change any of its products or the parts utilized in any of its products at its sole discretion. If any window product or component originally installed in the building is not available at the time of any claim by you under this warranty, Trimline Windows, Inc. reserves the right to substitute any other model or component as a replacement.

EXCLUSIONS

Trimline Windows, Inc. does not warrant installation or claims caused by installation. This warranty covers manufacturing defects only and does not include damage or defects due to normal weathering, fading, accidents or intentional damage, hail, lightning, flood, fire, acts of God, building settlement or structural failure, chemical pollutants, mildew, improper maintenance, vandalism or any other cause beyond the control of Trimline Windows, Inc. This warranty does not cover windows where the cladding has been painted, varnished or coated with any substance by the consumer.

Broken glass and screens are not covered.

This warranty covers glass imperfections as described in Federal Government Glass Specifications DD-04516 and as shown on the reverse of this warranty.

Condensation of moisture on the exterior surfaces of the sealed glass in the window may occur as a natural result of excessive humidity within the building area. Changes in interior and exterior temperatures may also cause condensation. It does not indicate a window defect and is not covered by this warranty.

THE MANUFACTURER WILL HAVE NO LIABILITY BEYOND REPAIR OR REPLACEMENT AND EXPRESSLY WILL HAVE NO LIABILITY FOR ANY LOSS OF TIME, INCONVENIENCE, LOSS OF USE, PERSONAL INJURY, PROPERTY DAMAGE, OR ANY OTHER INCIDENTAL OR CONSEQUENTIAL DAMAGE. THIS WARRANTY IS THE ONLY ONE WHICH THE MANUFACTURER MAKES AND IS EXPRESSLY IN LIEU OF ANY OTHER EXPRESS OR IMPLIED WARRANTY INCLUDING THOSE OF MERCHANTABILITY OR FITNESS FOR A PARTICULAR PURPOSE AND THE PROVISIONS OF THIS WARRANTY ARE THE EXCLUSIVE REMEDY OF THE PURCHASER. EXCEPT THROUGH WRITTEN AGREEMENT FROM THE MANUFACTURER, NO REPRESENTATIVE HAS ANY POWER OR AUTHORITY TO MAKE ANY ALTERATIONS TO THIS WARRANTY OR ANY PROMISE OR REPRESENTATIONS OTHER THAN THOSE CONTAINED IN THIS WARRANTY. THIS WARRANTY CONTAINS THE ENTIRE AGREEMENT BETWEEN THE PARTIES.

Some states do not allow limitation on how long a warranty lasts or the exclusion of incidental or consequential damage, so the above limitation or exclusions may not apply to you. This warranty gives you specific legal rights and you may have other rights which vary from state to state. This warranty shall be governed by the laws of the Commonwealth of Pennsylvania.

DEALER _____

DATE OF INSTALLATION _____

ADDRESS OF INSTALLATION _____

PURCHASER _____

REGISTRATION # _____



Ginkgo Industrial Park
50 Louise Drive • Ivyland, PA 18974
800.213.6100 • Fax 215.674.9324

Distributed Locally By



www.trimlinewindows.com

TrimLine Windows, Inc. reserves
the right to make changes in
construction or design without
notifying holders of detail catalogs.

REVISED JULY 2013